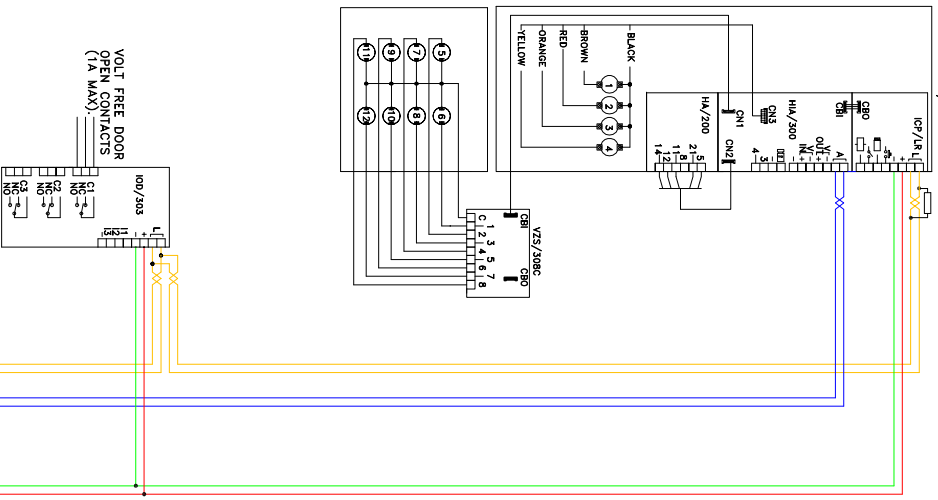
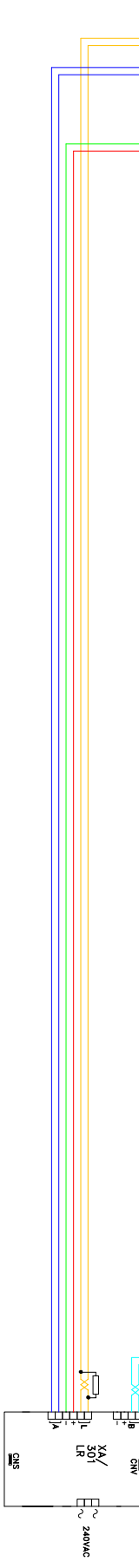


AUDIO ENTRANCE PANEL  
VR4500/12

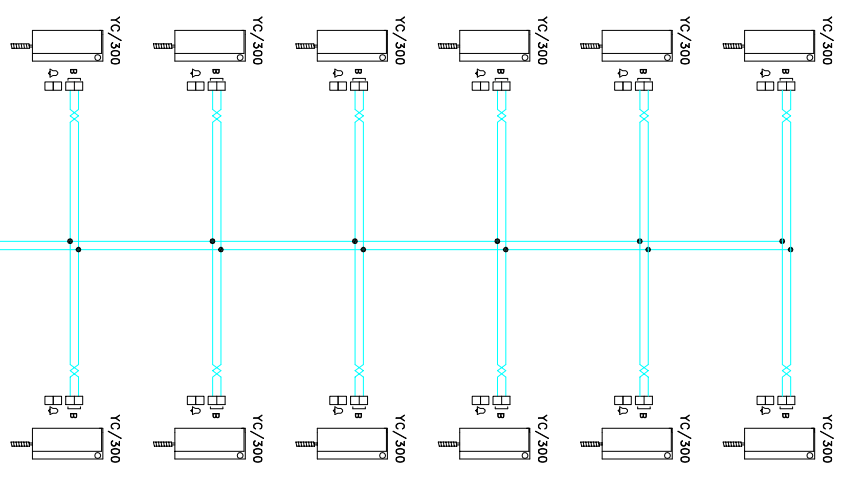
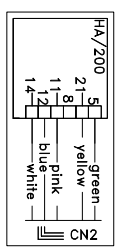
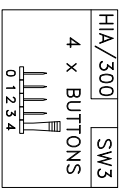


4 PAIR CAT 5 +  
2 CORES @ 1.0MMSQ (FOR 150M)



1. IT IS VITAL THAT THE CLOSING RESISTANCES SHOWN ON THE DRAWING AS 120K ARE CONNECTED AS INDICATED.

2. THE TWISTED PAIRS MUST NOT BE UNWISTED TO SIMPLY INSERTION INTO TERMINALS. THE TWISTED PAIRS MUST BE TWISTED TOGETHER ALL THE WAY INTO THE TERMINALS



BPT (UK) LTD. HERTS. ENGLAND	PREPARED FOR INSTALLER INFORMATION	DATE: 18/09/08	DRAWN: RC
DRAWING TITLE:		REVISED:	
DRAWING No:C-12V1Y12C(AUD)(A)			